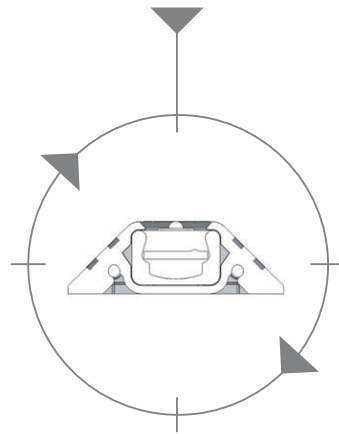


■ NEBULA (S15)

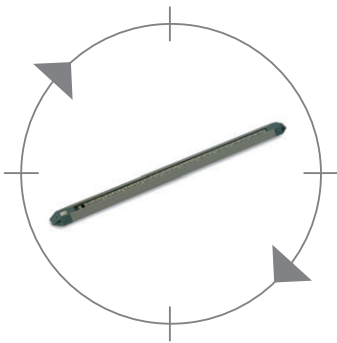
- Long life high intensity LEDs
- 2 year guarantee
- Tough aluminium housing
- Easy to install low profile unit
- Waterproof to IP67

Internal View



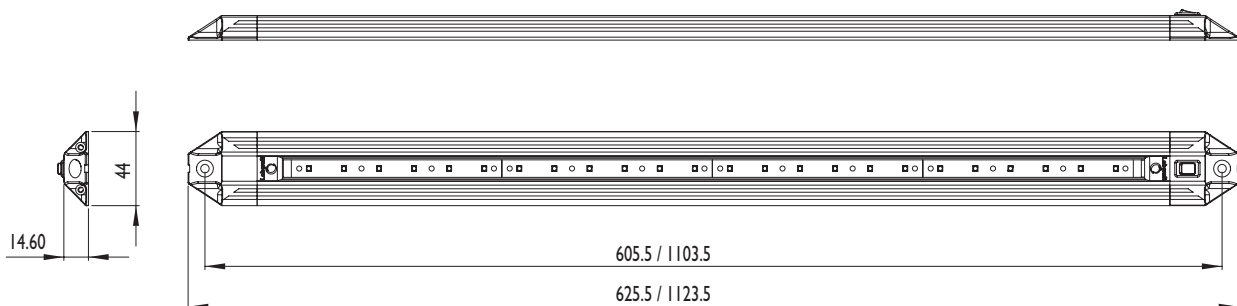
|| See technical specifications overleaf >>>

NEBULA (SI5)



- **Long life high intensity LEDs*** – the Nebula incorporates the Orizon LED strip light which uses the latest in LED technology offering optimum performance and extended life. The properties of these LEDs give greater luminosity allowing us to offer a brighter unit whilst using fewer LEDs to maintain the low power draw.
- **2 year guarantee*** – the high quality properties of this unit have enabled us to offer you an extended guarantee.
- **Robust and easy to install** – the Nebula is manufactured using a tough aluminium housing to provide a bright, low profile, surface mounted LED lighting solution which is quick and easy to install. Available with a choice of 24 or 48 high intensity LEDs*, this light unit is suitable for a wide range of applications.
- **Waterproof to IP67** – the PCB, components and LEDs are completely encapsulated with polyurethane protecting against moisture ingress.
- The Nebula can be switched remotely or it is also available with an integrated on/off rocker switch which fits neatly into the endcap.
- Available in Cool White (SI5CW) and Warm White (SI5WW).

* PV2 LED strips



SPECIFICATION

ALL DIMENSIONS HAVE A TOLERANCE OF +/- 1mm

NEBULA
(SI5)

Model No		SI5CW 500	SI5CW 500/2	SI5CW 1000	SI5CW 1000/2
Supply Voltage	Vdc	12	24	12	24
Voltage Range	Vdc	10 to 15*	20 to 32*	10 to 15*	20 to 32*
Average Current	A	0.18	0.11	0.36	0.22
Total Lumen Output	Lm	130	130	260	260
Tube/Bulb/LEDs	W	2.2W	2.2W	4.4W	4.4W
Weight	Kg	0.46	0.46	0.82	0.82
Temp. Range	°C	-30 to +40	-30 to +40	-30 to +40	-30 to +40

* Optimum performance achieved at 12V or 24V