



Length 59.37 in (1508 mm)
Width 26.77 in (680 mm)
Height 1.34 in (34 mm)
Frame Aluminum
Weight 25.02 lb (11.8 kg)



Sunmodule®

SW 130/135/140 poly R6A

World class quality

SolarWorld produces the best products with the highest quality, manufactured according to German and US quality standards in fully-automated ISO 9001 and 14001 certified factories.

Outstanding products

SolarWorld's modules were assessed by the ÖKO-TEST consumer magazine as "excellent".

An experienced industry leader

With over 30 years of experience in off-grid solar applications – SolarWorld delivers top products and technical experience at the highest levels. Our modules are installed in over 100,000 Telecom/Industrial systems worldwide. Nobody else comes close.



Sunmodule®

SW 130/135/140 poly R6A

PERFORMANCE UNDER STANDARD TEST CONDITIONS (STC)*

		SW 130	SW 135	SW 140
Maximum power	P_{max}	130 Wp	135 Wp	140 Wp
Open circuit voltage	U_{oc}	21.5 V	22.0 V	22.1 V
Maximum power point voltage	U_{mpp}	17.4 V	17.5 V	18.0 V
Short circuit current	I_{sc}	7.99 A	7.99 A	8.35 A
Maximum power point current	I_{mpp}	7.49 A	7.49 A	7.85 A

*STC: 1000W/m², 25°C, AM 1.5

PERFORMANCE AT 800 W/m², NOCT, AM 1.5

		SW 130	SW 135	SW 140
Maximum power	P_{max}	94.6 Wp	94.6 Wp	102.1 Wp
Open circuit voltage	U_{oc}	19.8 V	19.8 V	20.0 V
Maximum power point voltage	U_{mpp}	15.8 V	15.8 V	16.3 V
Short circuit current	I_{sc}	6.44 A	6.44 A	6.73 A
Maximum power point current	I_{mpp}	5.99 A	5.99 A	6.28 A

Minor reduction in efficiency under partial load conditions at 25°C: at 200W/m², 95% (+/-3%) of the STC efficiency (1000 W/m²) is achieved.

COMPONENT MATERIALS

Cells per module		36
Cell type		Poly crystalline
Cell dimensions		6.14 in x 6.14 in (156 mm x 156 mm)
Front		tempered glass (EN 12150)

SYSTEM INTEGRATION PARAMETERS

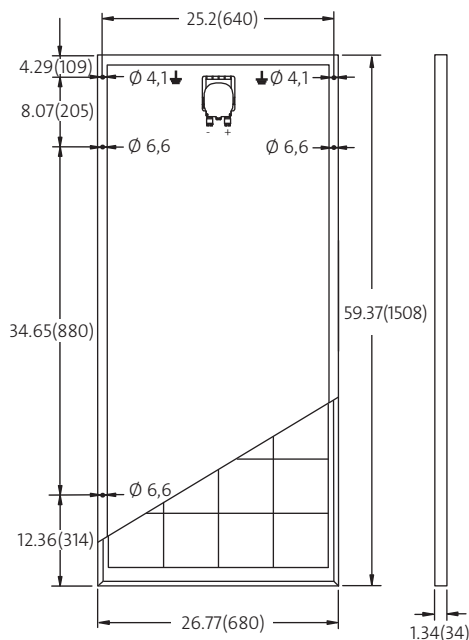
Maximum system voltage SC II		1000 V
Maximum reverse current		12 A
Increased snowload acc. to IEC 61215		5,4 kN/m ²
Number of bypass diodes		2

THERMAL CHARACTERISTICS

NOCT		46 °C
TC I_{sc}		0,034 %/K
TC U_{oc}		-0,34 %/K
TC P_{mpp}		-0,48 %/K

ADDITIONAL DATA

Power tolerance		+/- 5 %
J-Box		IP65
Maximum outer cable diameter		0.27 in (6.9 mm)
Maximum wire cross section		0.006 in ² (4 mm ²)



- Qualified, IEC 61215
- Safety tested, IEC 61730
- Periodic Inspection



CAPENERGIE
 Mas d'alhem
 34150 - La Boissière
 Tél : 04 67 56 77 91
 Fax : 04 67 55 52 25
 E-Mail : info@capenergie.fr
 www.capenergie.fr

SolarWorld AG reserves the right to make specification changes without notice. This data sheet complies with the requirements of EN 50380.