

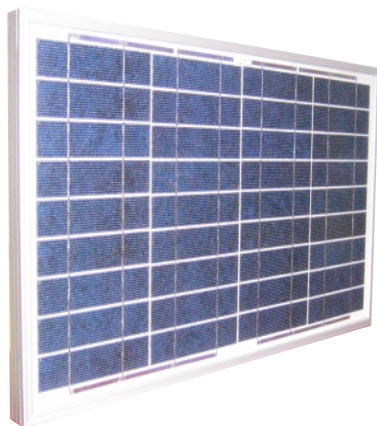


Let the Light be Life™

New PHOTOVOLTAIC MODULE

IS30P

36 cells



The **new** photovoltaic module **IS30P - 30Wp** is composed of **36** high efficiency polycrystalline solar cells produced with the most innovative technologies of isotropic texturization and antireflecting coating.

Istar Solar® manufactures top quality modules by using only guaranteed and certified materials. These modules are in fact made of solar cells encapsulated between sheets of ethylene vinyl acetate (EVA), highly transparent, antishock, tempered glass which protects the module against mechanical and climatic effects, such as hail, ice etc. The particular texturization of the glass enables a maximum concentration and diffusion of the light on the solar cells. This enable us to guarantee very good module performances, power and working conditions even if in lower sunlight levels worldwide. The white tedlar back sheet contributes to a further protection of the module and the electrical contacts against the action of climatic agents like humidity.

Furthermore the **strong anodized aluminium frame** with corners and pre-drilled mounting holes makes the module extremely easy to install.

The modules are equipped with a special waterproof **junction box Tyco** with protection degree **IP55**.

Certification:

C01 07C328001 - TÜV 08 PPV 00001/02 TIC
C02 07C328001 - TÜV 08 PPV 00001/03 TIC

CEI/EN 61215 2nd Ed. TÜV CE □
Safety Class II

Power modules warranty:

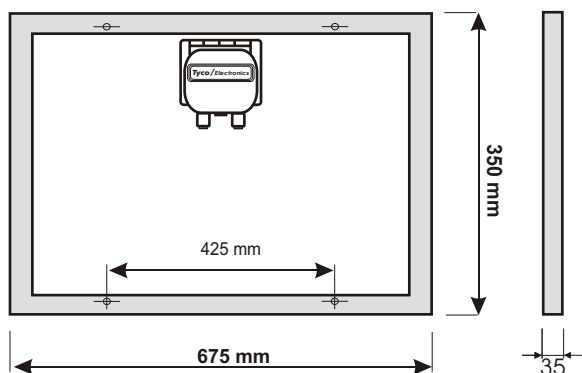
90% 12 years

80% 25 years

Product Warranty: 5 years

Electrical and Technical Data

(STC: 1000 W/sqm - 25°C - AM 1,5)



	IS30P
Peak power (Wp)	Watts 30
Current at maximum power (Imp)	Amps 1.7
Short Circuit Current (Isc)	Amps 2.3
Open circuit voltage (Voc)	Volts 21,2
Voltege at maximum power (Vmp)	Volts 17,8
Nominal operating cell.temp. (NOCT)	°C 45 (±2)
Maximum systemvoltage	Volts 1000
Temperature range	°C -40 to +85
Hail resistance and impact speed	up to 25mm at 90 Km/h
Relatives umidity	up to 100%
Dimensions	mm 350 x 675 x 35 (±2mm)
Weight	Kg 5
Power tolerance	±5%

Datasheet complies with the requirements EN 50380

Istar Solar® reserves the right to change the features of modules without notice