

### Application

PRIO outdoor LED light suitable for:

- streets
- motorways
- car parkings
- cycling paths
- pavements

### Design

- anti-vandal
- cast aluminium housing
- flat hardened glass diffuser
- luminaire designed for both jib and pole
- pivot joint to adjust  $\pm 15^\circ$  angle of inclination
- air breather - unilaterally permeable membrane
- opening by means of single latch
- option symmetrical/asymmetrical distribution of flux

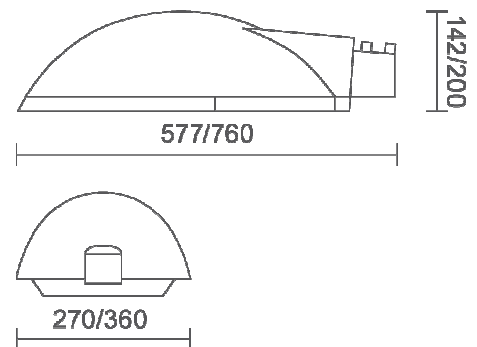
### Equipment

- power unit type LongLife > 70 000 hours
- power unit protection and control against overheating of the LED
- OSRAM power LEDs
- dimmable via integrated electronic timer \*
- performance management wirelessly via NextIQ network \*
- operational efficiency > 87 %
- voltage 230V AC1 +/-10%, 50Hz
- $\cos \phi$  0,97
- weight 5,6kg (6,8kg)
- operating temperature range -40°C to +40°C
- protection class I
- IP66
- recommended installation height 6 - 12m
- chromaticity 4,100/5,500K
- colour rendering index >80
- \* optional

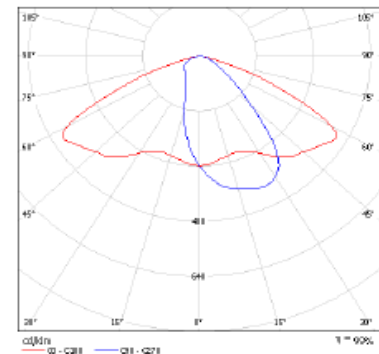
### View



### Dimensions



### Photometric curve



| Type               | Power input (W) | Performance (%) | No of LED diods | Luminous flux (lm) | Dimensions (mm) W x H x D |
|--------------------|-----------------|-----------------|-----------------|--------------------|---------------------------|
| NextLight Prio 30  | 30              | 0-100           | 22              | 3,572              | 270x142x577               |
| NextLight Prio 50  | 50              | 0-100           | 30              | 5,413              | 270x142x577               |
| NextLight Prio 70  | 70              | 0-100           | 42              | 7,795              | 270x142x577               |
| NextLight Prio 100 | 110             | 0-100           | 72              | 11,909             | 360x200x760               |

