

### Application

ZEBRA outdoor LED light suitable for:

- all crossing points

### Design

- anti-vandal
- cast aluminium housing
- flat hardened glass diffusor
- luminaire designed for both jib and pole
- pivot joint to adjust +/- 15° angle of inclination
- air breather – unilaterally permeable membrane
- opening by means of single latch

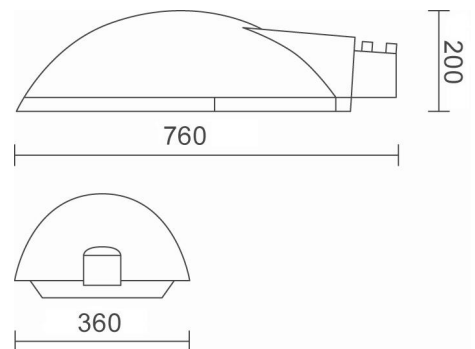
### Equipment

- power unit type LongLife > 70 000 hours
- power unit protection and control against overheating of the LED
- OSRAM power LEDs with optics
- operational efficiency > 87 %
- voltage 230V AC1 +/-10%, 50Hz
- cos φ 0,97
- LED module life more than 70 000 hours
- weight 6,8kg
- operating temperature range -30°C to +40°C
- protection class I
- IP66
- recommended installation height 5 - 8m
- chromaticity cca 5 500K
- colour rendering index >80

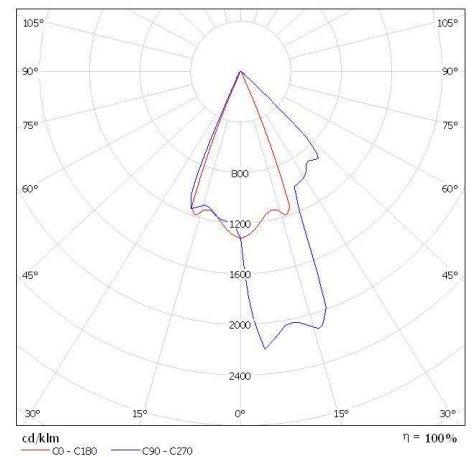
### View



### Dimensions



### Photometric curve



Type	Power input (W)	Performance (%)	No of LEDs	Luminous flux (lm)	Dimensions mm W x H x D
NextLight Zebra 100	110	0-100	75	9790	360x200x760

